

Sagar-Bakanje Lower Secondary School

(Chandra Joyti Lower Secondary School)



Project under Himalayan Project, Denmark
Project Site: Bakanje VDC, Solu-Khumbu

Report **10. November 2005**

Himalayan Project
Kjeldbjergvej 34
DK-7800 Skive
klomborg@post11.tele.dk

According to discussions taking place in the school of Sagar-Bakanje 2004 it was decided, that the school should discuss on the following subjects and give message to Himalayan Project after decision.

Toilet
Water tap
Furniture
Nuru Jangbu Sherpa's salary

Unfortunately there were some problems in the files and transfer from Nepal to Denmark, so the delivered report were incomplete and no decisions could be taken before the arrival of HP in the school in autumn 2005.

But Himalayan project did work for finding donors for the projects. Venoe Menighedsraad collected funds more than sufficient for furniture, and through Rotary (Nykoebing Mors RK & Ansgar Mathiassen and Rotary Danmark Hjælpefond) funds were found for toilet construction.

At **24. October 2005** a meeting were held in Chandra Jyoti Lower Secondary School between Himalayan Project and School Managing Committee. The school had at that time 113 students. Nursery + 1. Class = 17 & 2. Class = 10 & 3. Class = 10 & 4. Class = 11 & 5. Class = 8 & 6. Class = 29 & 7. Class = 19 & 8. Class = 9

During this meeting the application papers were revealed as below written:

12. April 2005

Dear Papa

First of all the school management committee, school family and villagers of Sagar Bhakanje thanks you a lot for Papa contribution for this school. We are very sorry because we are unable to forward the application and the documents of school in time because there are no any communicatione. Now we forward the application and the documents of school (toilet, furniture, list of science lab. materials) We are also unable to send the photos of furniture because we didn't found digital camera. We hope Papa kindly forward the documents to Himalayan Project. Now I want to give some reports about grade 8. This year we have 8 students in grade 8. Seven boys and one girl. The final examination is already over but the result is not published yet.

Yours obedient Ang Dawa Sherpa

12. April 2005

To the Chairman Skivehus Rotary Club, Denmark, Dear Sir.

We have now been running calsss eight since April 2002 with tha grand assistance of

Himalayan Project, but now we have little money left only until end of February 2005.

We requested the regional education office for the permission to run class eight permanently however we didn't get it, not only this school but also many school of this district because of ongoing political instability and crisis. At this moment we can't run class eight without your valuable contribution.

Most students of this area used to stop their studies after they passed class seven because of their poverty, but now they are benefited a lot after your helped to upgrade class eight and getting more inspiration to have more education and being understand the importance of education. And now we can provide the students of this area with Lower Secondary Certificate. Now we are also starting to educate the students who are leaving the primary school in Chhimbu. To run class 8 we only need support for teacher salary. And we have been very lucky to employ Mr. Nuru Jangbu Sherpa who is a ambitious teacher in english level. His salary is 4.900 Rs per month in 12 months plus one month festival allowance in total 63.700 NRS per year.

The people of this area (Bhakanje VDC) will never forget you and your contribution to this school for and ages. We think ourself to be lucky to get such a kind hearted and ambitious people. We will be like an orphan if you stop giving help to this school. So we request once more to run Secondary School permanently from the government.

Finally we all the villagers, management committee and school family warm welcome you in our village and want to thank you a lot for grand help.

Ang Dawa Sherpa, Head Teacher

12. April 2005

To the chairman of Himalayan Project, Denmark

The school management committee and the villagers, school family of Sagar Bhakanje thanks a lot for your grand contribution to this school. Chandra Joyti Lower Secondary School is still facing many difficulties at the moment. The condition of classroom furniture are very poor to five students sit on a single bench. It makes them very uneasy to write beside this we don't have good toilet and clean drinking water, it is the main problem. Also we don't have science lab. materials. So decided to request Himalayan Project for some amount to fulfill this problems. So we forward this application with necessary budget and estimate list of science lab. materials. We hope you kindly consider our problems.

Thank you, Ang Dawa, Head Teacher

12. April 2005

List of science instruments for Chandra Jyoti Lower Secondary School.

- 1 Microscope -1
- 2 Physical balance -2
- 3 Spring balance -5
- 4 Pulley balance -6
- 5 Measuring cylinder of different ml
- 6 Funnel -5
- 7 Test tube - 5 dozen
- 8 Round bottom flask
- 9 Sprit lamp -3
- 10 Bar magnet
- 11 Tripod stand
- 12 Thermometer laboratory use
- 13 Beaker with different sizes

Budget

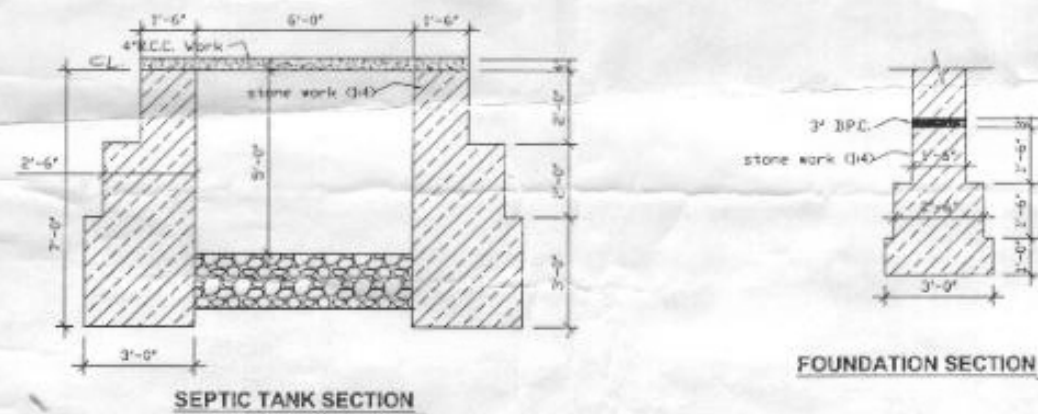
Name of project: Toilet block Construction							
Location: Sagar Bhakanje - 4 Solukhumbu							
Currency rate:		6,25	Dkr per 1 US\$		70	NRS per 1 US\$	
SN	Description of items	Quantity	Unit	Rate	per	Amount	
						NRS	US\$
Materials							
1	Stone	12	pile	1.200	pile	14.400	206
2	4" x 5" wood	42	cu.ft	40	1 cu.ft	1.680	24
3	5" x 9" wood	34	cu.ft	40	1 cu.ft	1.360	19
4	4" x 5" wood	22	cu.ft	40	1 cu.ft	880	13
5	2" x 9" wood	20	cu.ft	40	1 cu.ft	800	11
6	Cement	800	kg	1200	50 kg	19.200	274
7	Sand	1.850	kg	100	50 kg	3.700	53
8	P	2	piece	1000	1 piece	2.000	29
9	Pipe	10	meter	110	1 meter	1.110	16
10	Door Lock	3	piece	150	1 piece	450	6
11	Hinges	24	piece	20	1 piece	480	7
12	Roof	3	bundle	3500	1 bundle	10.500	150
13	3" x 4" wood	10	cu.ft	40	1 cu.ft	400	6
14	3" x 3" wood	16	cu.ft	40	1 cu.ft	640	9
15	5 " x 4" wood	20	cu.ft	40	1 cu.ft	800	11
16	Small piece stone	400	kg	2,5	1 kg	1.000	14
17	G.I. Pipe	20	meter	100	1 meter	2.000	29
18	Polythene pipe	150	meter	20	1 meter	3.000	43
19	Nails	2	kg	100	1 kg	200	3
TOTAL:						64.600	923
Salaries							
1	Carpenter	22	workdays	250	1 day	5.500	79
2	Stone worker	40	workdays	250	1 day	10.000	143
3	Helper	20	workdays	150	1 day	3.000	43
4	Cement worker	6	workdays	250	1 day	1.500	21
5	Helper	3	workdays	150	1 day	450	6
TOTAL:						20.450	292
Watertap							
1	Materials					20.000	286
2	Salaries					6.500	93
TOTAL:						26.500	379
GRAND TOTAL:						111.550	1.594
						Dkr:	9.960

Name of project: Furniture Chandra Jyoti Lower Secondary School							
Location: Sagar Bhakanje - 4 Solukhumbu							
Currency rate:		6,25	Dkr per 1 US\$		70	NRS per 1 US\$	
SN	Description of items	Quantity	Unit	Rate	per	Amount	
						NRS	US\$
1	11"x2" wood	400	cu.ft.	40	one	16,000	229
2	carpenture	70	per day	250	one	17,500	250
3	Nail	10	kg	100	one	1,000	14
TOTAL:						34,500	493

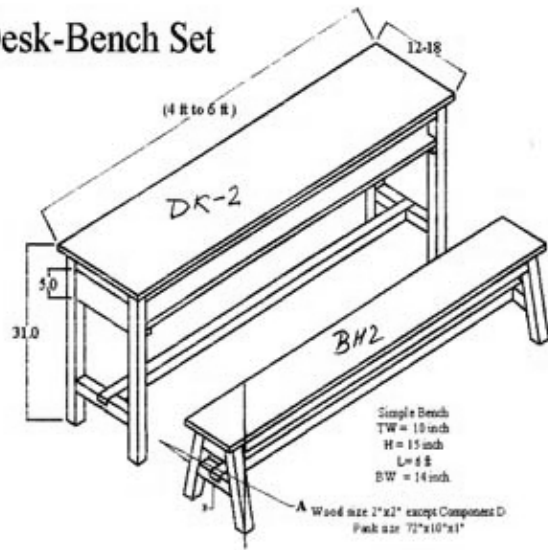
PROJECT TITLE: Toilet Block Construction.

CLIENT: Chandra Jyoti Lower Secondary School.
Bhakanje-4, Solukhumbu.

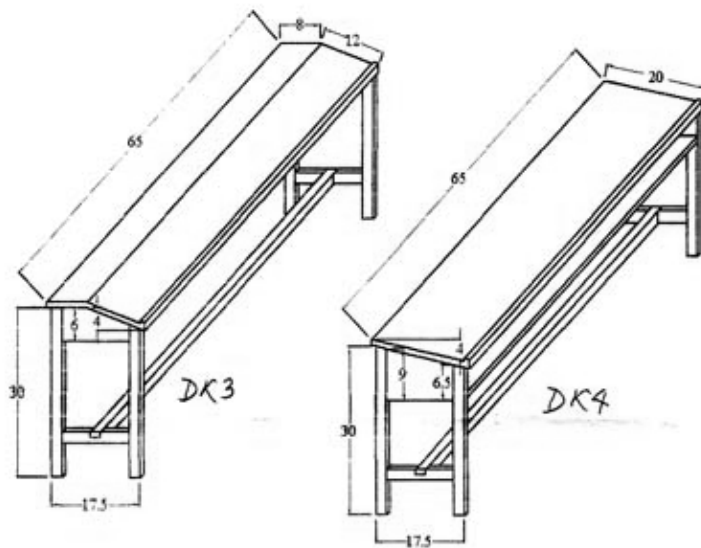
CONSULTANT: Ultimate Planners & Builders P.Ltd.
Bhaisepati, Lalitpur.



Desk-Bench Set



Other type of Desk



[Handwritten signature]

At the meeting on **24. October 2005** in the school between Himalayan Project and Chandra Jyoti Lower Secondary School Managing Committee following subjects were discussed and following decisions were taken:

Nuru Jangbu Sherpa salary:

The last day for which Nuru Jangbu have received his salary was **15. April 2005**

Since 15. January 2005 the Educational Ministry have raised the teachers salaries with 20%. Before it was 4.900 NRS per month. After this date it have raised to 5.880 NRS per month, which will be submitted by Himalayan Project as well.

Himalayan Project handed over the salary of Nuru Jangbu Sherpa for 6 months for the period 15. April 2005 until 15. October 2005 including ashain allowance - in total **41.160 NRS**

Furniture:

Venoe Menighedsraad has donated to Himalayan Project the amount of **78.100 NRS** for the purpose of constructing new furniture for all classes and other necessary improvements in the school. The budget for constructing furniture is **34.500 NRS** but this budget should be raised a little, as the furniture according to the estimate should be constructed for 3 students each. It was decided, that the furniture for 6 + 7 + 8 class shall be constructed for 2 students each set.

An estimate were given for putting slate stoneflor in 4 classrooms. Those rooms is the four rooms in the two new buildings. The old building should not be touched. This estimate said **28.000 NRS** for all four rooms.

It was decided that the full amount of 78.100 NRS shall cover the expenses for:

New furniture for all classes and for all students plus some extra.

Slate stoneflor in 4 classrooms

Digging out soil behind the northern new building

Putting skylight in the roof of the two new buildings

If the amount is not sufficient for all the works, the School Managing Committee shall find the remaining budget from the village and school family.

Watertap:

One watertap shall be constructed at the school. As the Gompa already is working on taking water for its new kitchen, the waterpipe for the school shall be taken from the same pipe as the Gompa's. For the purpose of constructing toilet and watertap there is an amount of approximately 110.000 NRS available. From this amount **20.000 NRS** is given for the purpose of constructing watertap.

Toilet:

As the school previously had decided not to construct a Separation Compost Latrin, but instead constructing a simple pit latrin, it came to a discussion about the subject. The benefit of urine and compost as fertilizer were emphasized by Himalayan Project. But also the inconvenience of working with this kind of waste products were discussed. And furthermore it was emphasized that a compost latrin still has not proved functional in high altitude and cold environment. Finally it was decided to go for construction of a Separation Compost Latrin. Such a project has to be investigated and discussed further, so it was decided to seek for technological support from ENPO, Kathmandu through Mrs. Anjali Manandhar and Mingma Gyalzen Sherpa. It will therefore be opened as a new independent project to be started as soon as possible. Negotiations is already run in Kathmandu by mid November 2005.

The rest amount of the donation for constructing toilet at the school is approximately **90.000 NRS** which will go into this new project.

Until the new toilet is constructed, the old toilet shall remain in order and serve as good as possible.

Upgrading of the school as a whole:

As the long building for 1-5 class is congested and of a very low quality, it should be replaced and upgraded to meet a higher standard for the young students.

The remaining two buildings could serve as sufficient for 6-7-8 class, but to meet a higher standard of education in Bakanje even there should be build another new building for the purpose of serving modern educational facilities. This building should contain facilities for science laboratory, computer education, audio-vision, library and other modern requirements.

For this purpose it was decided to seek technical and funding support from Rural Reconstruction Nepal (RRN) through their district office in Salleri and District Manager Dawang Sherpa.

Such discussions is already by mid November 2005 ongoing between Himalayan Project and RRN. Himalayan Project will go into this project with supplementary funding of equipments and other necessary expenses, which can not be beared by the local community and RRN.

Handing over of funds:

At the meeting at the school on 24. October 2005 the new budget looked as below:

Furniture and above mentioned upgrading of buildings:	78.100 NRS
Construction of watertap:	<u>20.000 NRS</u>
In total:	98.100 NRS

Handed over for School Managing Committee through Head Teacher Ang Dawa Sherpa on 24. October 2005:	55.000 NRS
---	------------

To be handed over for School Managing Committee by end of November 2005:	43.100 NRS
--	------------

Remaining amount for the purpose of constructing toilet:	
Approximately	90.000 NRS

From Himalayan Project side we will say thank you to all parties involved in this project for good cooperation and sincere participation. Chandra Jyoti Lower Secondary School deserve to be the head school of the backward Bakanje VDC. The teachers and the School Family are active, sincere and honest, which is impressing Himalayan Project, in a way of securing our further and future support.

Kathmandu 10. November 2005

Kurt Lomborg
Chairman of Himalayan Project